

# ALP BAS C

## ALP Tap Range Alp Basin Mixer Chrome



### Features:

- Long life ceramic cartridge for added durability and ease of use
- Metal fixing nut for added durability
- Flexible tails included
- Includes clicker waste
- Minimum working pressure of 0.3 bar

### Product Certifications:



WRAS Certificate No: 2007901  
WRAS Expiry Date: 31/07/2025



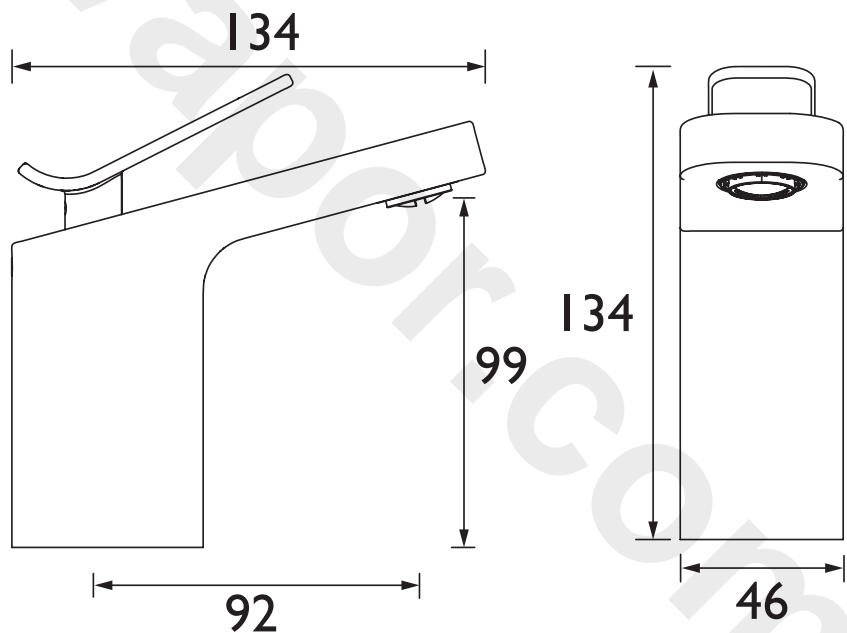
For more products, visit our website:  
<http://www.bristan.com>



### Specification

<b>Product Type:</b>	Bathroom Tap
<b>Main Construction Material:</b>	Brass
<b>Mount Type:</b>	Deck
<b>Handle Type:</b>	Lever
<b>Connection Inlet:</b>	M10 x 15mm Compression Flexi Tails
<b>Connection Outlet:</b>	M24
<b>Number of Tap Holes:</b>	1
<b>Valve/Cartridge Type:</b>	35mm Ceramic Cartridge
<b>Plumbing System Requirements:</b>	Suitable for all plumbing systems
<b>Minimum Dynamic Pressure (bar):</b>	0.3 bar
<b>Maximum Dynamic Pressure (bar):</b>	5.0 bar
<b>Maximum Hot Water Temperature °C:</b>	65°C
<b>Maximum Static Pressure (bar):</b>	10 bar
<b>Flow Type:</b>	Single
<b>Isolation Included:</b>	No

### Dimensions (measurements in mm)



### Flow Rates (l/min)

System Pressure (bar)	0.3	0.5	1	2	3	5
ALP BAS C (mixed)	8.6	11.1	15.8	22.3	27.3	35.2

## TECHNICAL DATA SHEET



# BRISTAN

D11